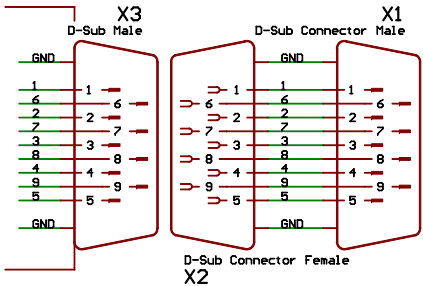


Recommended RT300 DCU Connections Plan

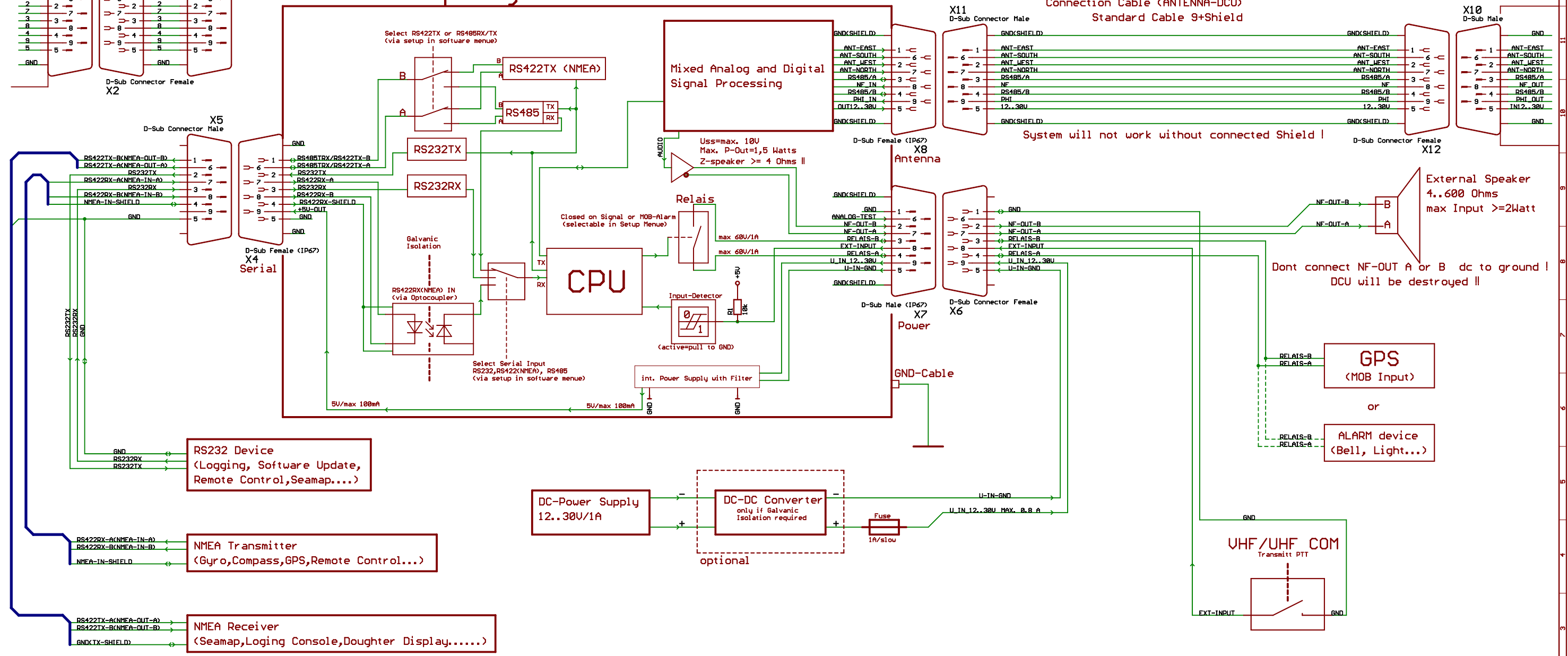
all external connections except Power Supply and Antenna are optional

Recommended Cable Connection to PC for Software Update

PC-COM Port Standard Cable 9+Shield



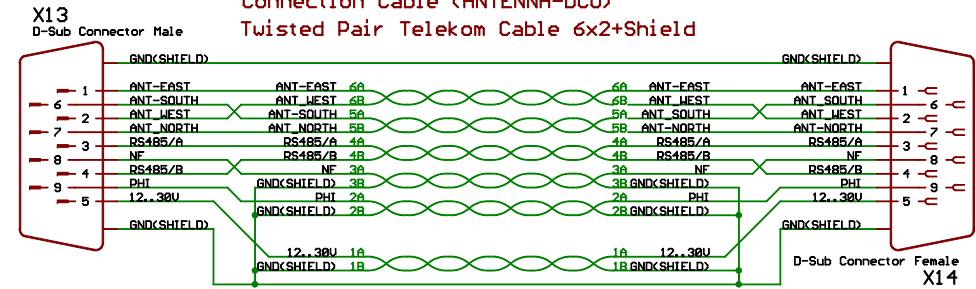
DCU (Display Control Unit)



Allowed Cable Length 1....100m

Connection Cable (ANTENNA-DCU)

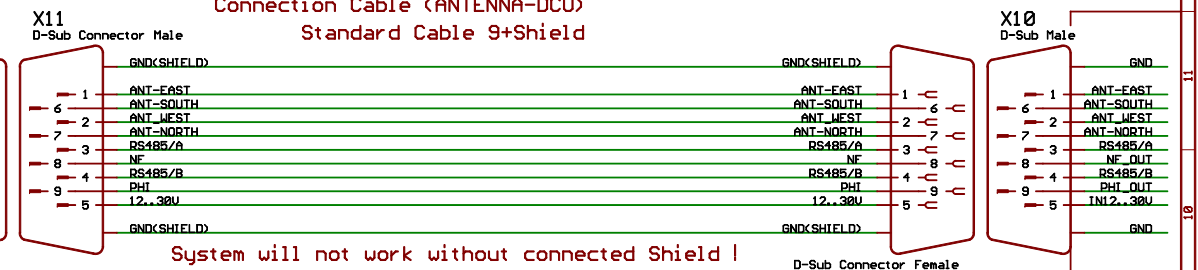
Twisted Pair Telekom Cable 6x2+Shield



Allowed Cable Length 1....50m

Connection Cable (ANTENNA-DCU)

Standard Cable 9+Shield



System will not work without connected Shield !

External Speaker
4..600 Ohms
max Input >=2Watt

Dont connect NF-OUT A or B dc to ground !
DCU will be destroyed !!

RS232 Device
(Logging, Software Update,
Remote Control, Seamap....)

NMEA Transmitter
(Gyro, Compass, GPS, Remote Control...)

NMEA Receiver
(Seamap, Logging Console, Daughter Display.....)

DC-Power Supply
12..30V/1A

DC-DC Converter
only if Galvanic
Isolation required
optional

VHF/UHF COM
Transmitt PTT

For other external connections contact Rhotheta
DCU could be damaged !!

Revision	Date	ChangeIndex	Date	Checked	Name	Project:
01.00	0	A	16.10.2003	F. Boehm	RT300	
01.01	1	B	11.02.2005	F. Boehm	RT300 DCU Connections	
	2	C			Designation:	
	3	D			Drawing No.:	
	4	E			Last Edit: 11.02.2005 11:54:01	
	5	F			Printed: 11.02.2005 11:57:36	
	6	G			Filename: Power-Serial-Antenna	
						Page: 1/1